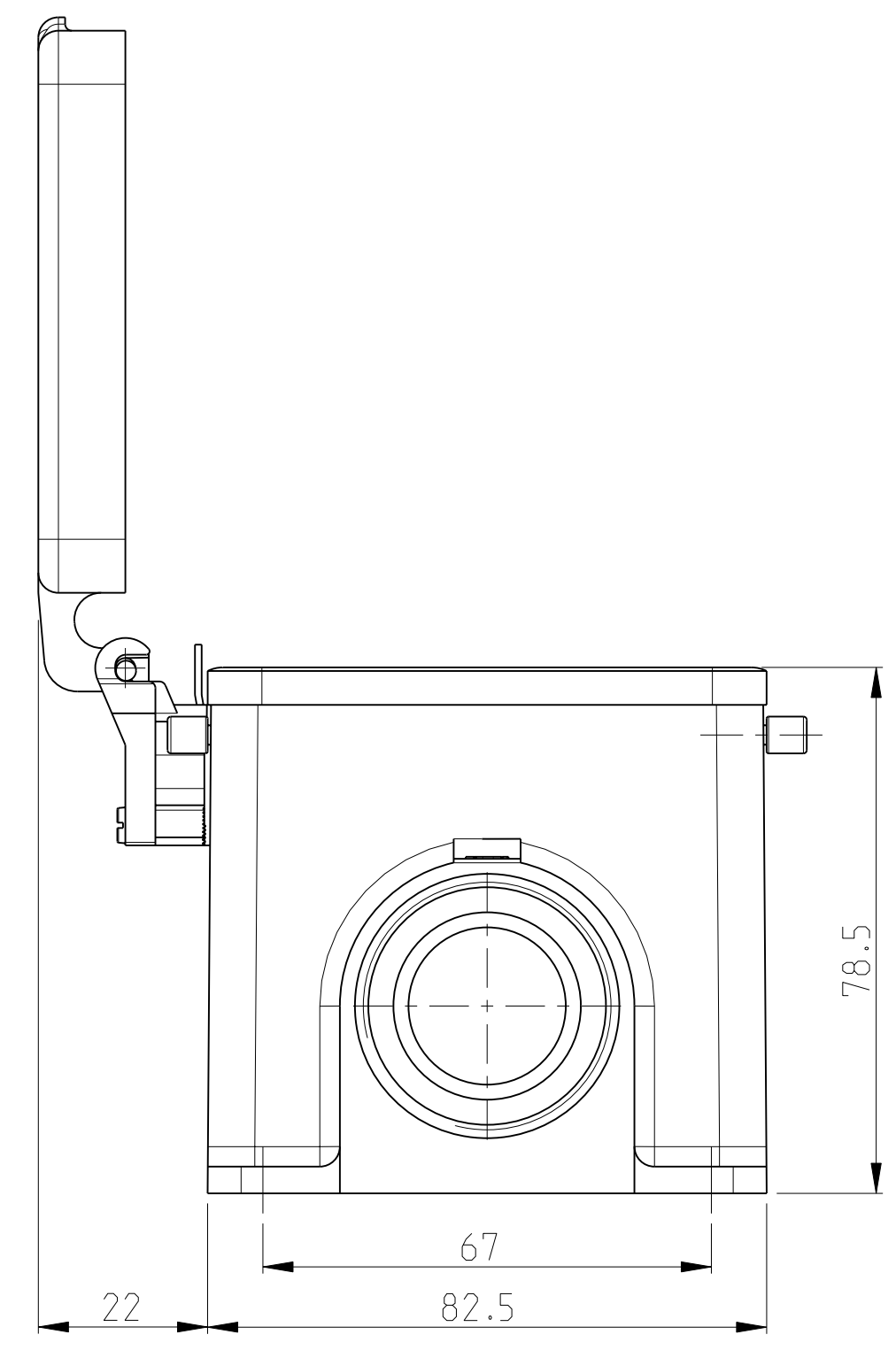
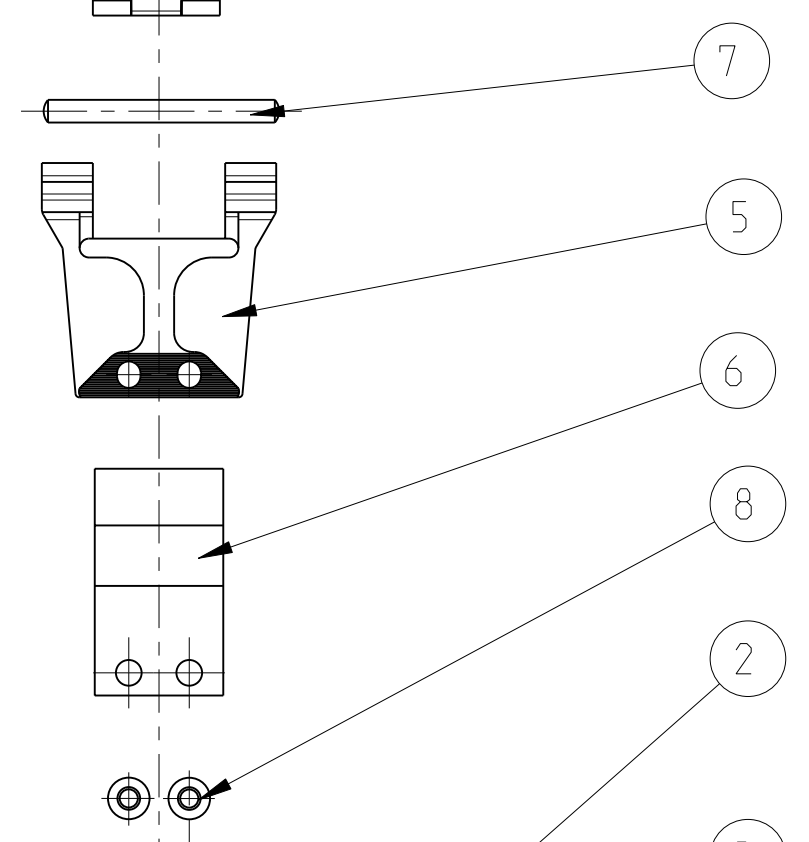
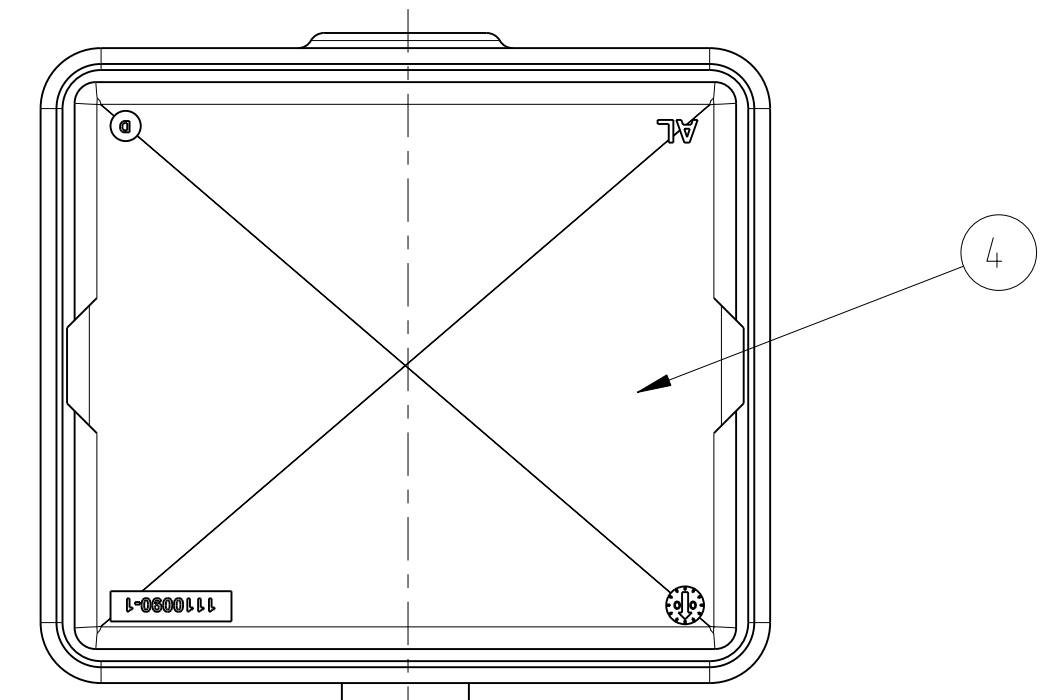
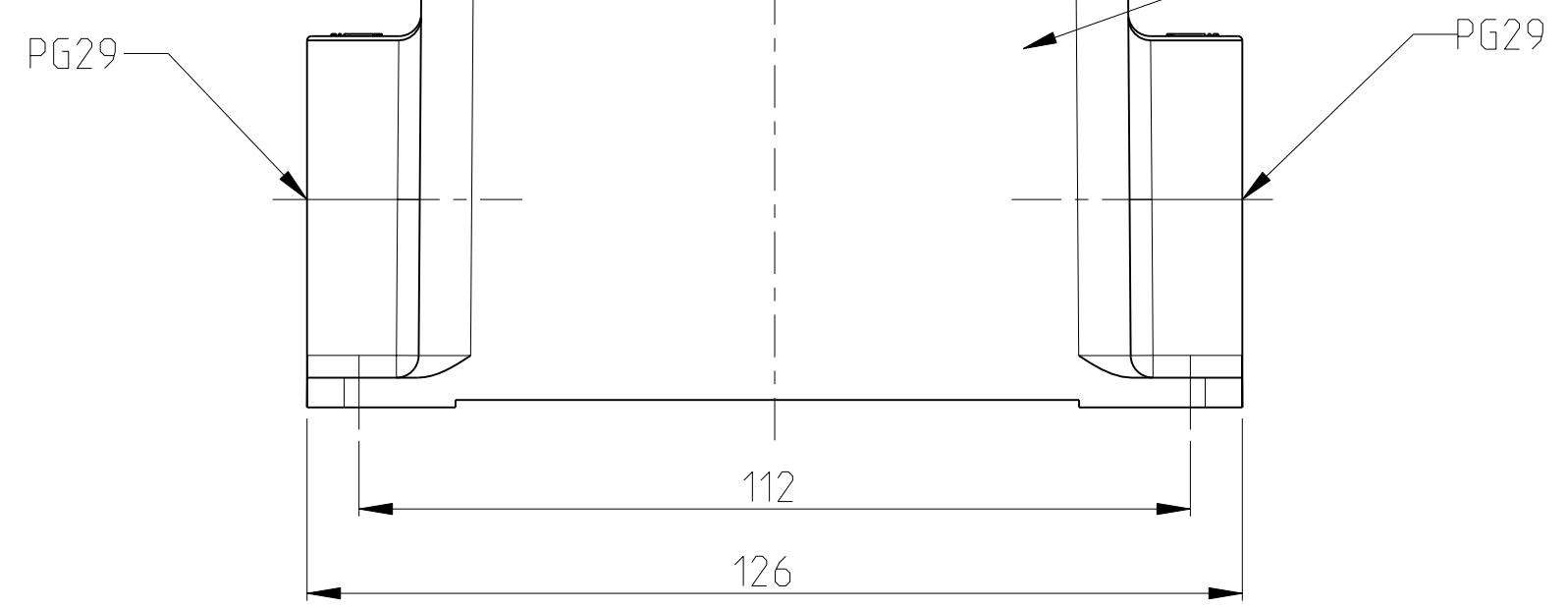


| LOC | | DIST | | REVISIONS | | | |
|-----|-----|-------------|---------------------------------|-----------|------|----|--|
| P | LTR | DESCRIPTION | DATE | DWN | APVD | | |
| A | 1 | | | | | | |
| | | A2 | new pro/E drawing ECR-09-007725 | 26MAR2009 | SR | AR | |



NOTES

- 1 PART SHALL BE FREE AND CLEAN OF BURRS AND OTHER FOREIGN MATERIAL
- 2 PACKAGING: QUANTITY 3 PIECES
- 3 VARNISHING INSIDE HOUSING NOT REQUIRED



| DESCRIPTION | MATERIAL | SURFACE | COLORE | ITEM | NOTES |
|--------------------------------------|--------------|-------------|--------|------|-------|
| 2 ZYLINDER SCREW | STAIN. STEEL | BLANC | | 8 | M3x16 |
| 1 GROVED PIN | STEEL | ZINC PLATED | BLUE | 7 | |
| 1 LEAF SPRING | STEEL | ZINC PLATED | BLUE | 6 | |
| 1 HINGE | ALUMINIUM | | GREY | 5 | |
| 1 COVER | ALUMINIUM | | GREY | 4 | |
| 4 CLIP BOLT | STEEL | ZINC PLATED | BLUE | 3 | |
| 1 PROFIL SEAL | NEOPRENE | | BLACK | 2 | |
| 1 SURFACE MOUNTED HOUSING SIDE ENTRY | ALUMINIUM | | GREY | 1 | |

HB.32.SGD.2.29.Z

| | | | | | | | |
|---|--|--|--|---|------------------|---|------------------|
| DIMENSIONS: mm | | TOLERANCES UNLESS OTHERWISE SPECIFIED: 0 PLC ±- 1 PLC ±- 2 PLC ±- 3 PLC ±- 4 PLC ±- ANGLES ±1° FINISH | | DWN: R.SCHNEIDER 26MAR2009 CHK: T.SCHNURPFEL 26MAR2009 APVD: - PRODUCT SPEC: - APPLICATION SPEC: - WEIGHT: - CUSTOMER DRAWING | | Tyco Electronics tyco Electronics AMP GmbH 53757 Sankt Augustin (Germany) | |
| NAME: Surface mounted housing side entry HB.32.SGD.2.29.Z | | | | SIZE: A2 | CAGE CODE: 00779 | DRAWING NO: 1102364 | RESTRICTED TO: - |
| SCALE: 1:1 | | | | SHEET: 1 | OF: 1 | REV: A2 | |